

Sign Order Form

Name of Project: _____

Street Address: _____

City & State: _____

Code This Jurisdiction Uses **(REQUIRED)**: _____

Bill To:

Company: _____

Attention: _____

Street: _____

City/State/Zip: _____

Phone: _____

Fax: _____

Purchase Order # (If Needed) _____

Contact Person: _____

Ship To:

Company: _____

Attention: _____

Street: _____

City/State/Zip: _____

Phone: _____

Fax: _____

Email: _____

Project Turnaround Time: Regular Rush (50% Surcharge)

Number of Copies: _____

Method of Shipment: Pick-up U.S. Mail Overnight

Calculations Required:

Footings:

- Augered
- Hand Dig
- Round
- Square
- Spread

Pole:

- Pipe
- Tube (Square)
- Other: _____

Pole Material:

- Steel
- Aluminum
- Wood
- Other: _____

Connections:

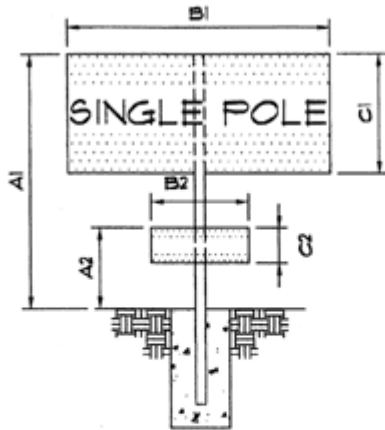
- Attachment to Wall/Roof
- Cabinet to Cap Plate
- J-Bolt to Footing
- Direct Burial (Pole to Ftg.)

Miscellaneous:

- 3-Ring Splice & Pole Stub
- Thru Pole Saddle
- Other _____

Additional Information: _____

Sign Diagram



A1 ___ ft. ___ in. B1 ___ ft. ___ in. C1 ___ ft. ___ in.

A2 ___ ft. ___ in. B2 ___ ft. ___ in. C2 ___ ft. ___ in.

MATERIAL STEEL ALUM. WOOD

POLE PIPE TUBE OTHER

A1: ___ Ft. ___ In.

B1: ___ Ft. ___ In.

C1: ___ Ft. ___ In.

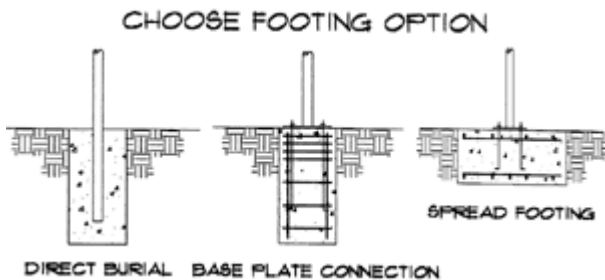
D1: ___ Ft. ___ In.

E1: ___ Ft. ___ In.

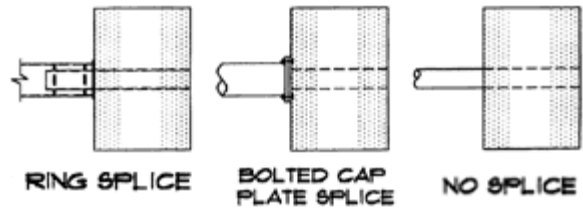
Material: Steel Aluminum Wood

Pole: Pipe Tube Other

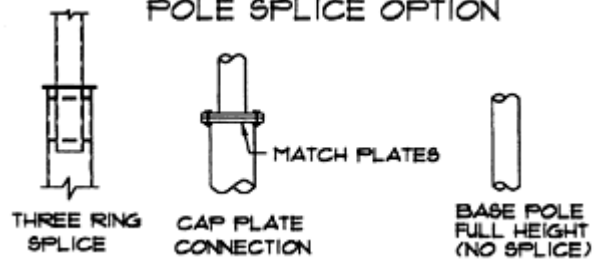
Footings:



CABINET SPLICE OPTION



POLE SPLICE OPTION



These sketches are intended to show the minimum dimensional information that we need. Please send us your drawing with dimensions so our calculations and drawing(s) will be accurate.